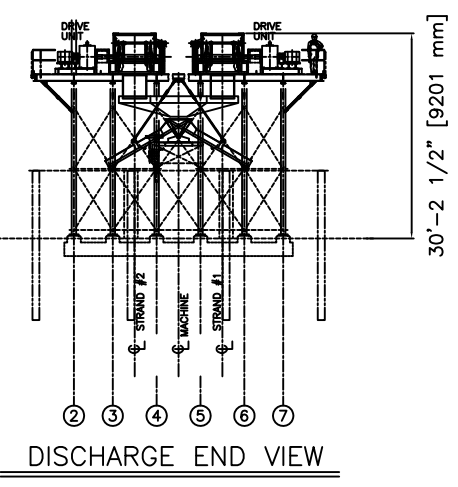
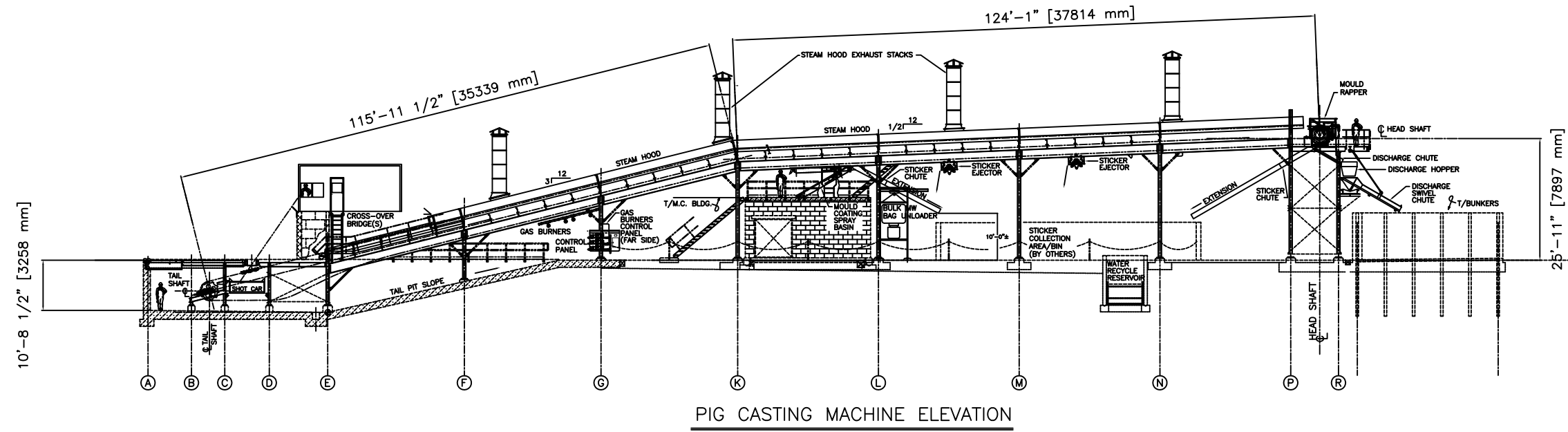
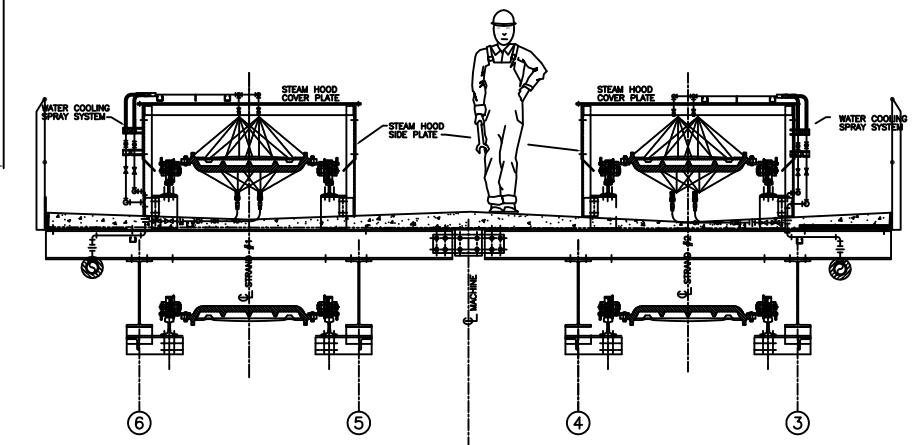
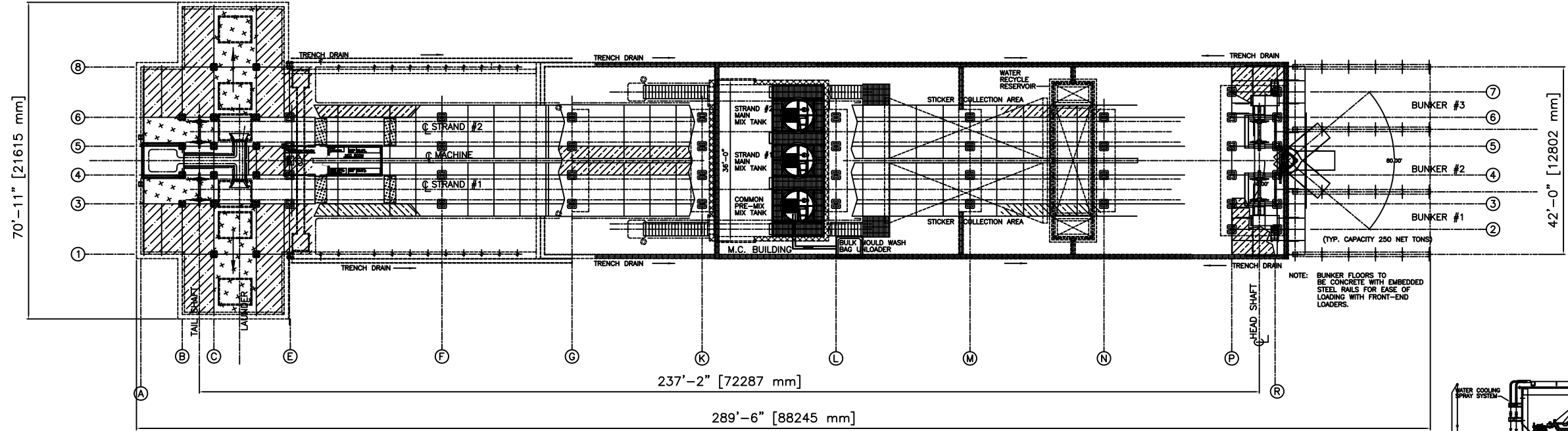


PM 240 DOUBLE STRAND		
IRON / HCFer / FeNi / Ni Alloy / FeSi	280 tons / hr	260 metric ton /hr
Ni Matte / Cu matte / FeMn / SiMn		
COOLING TIME	5.5 MINUTES	5.5 MINUTES
MOULDS	DOUBLE CAVITY	DOUBLE CAVITY
TOTAL INGOT WEIGHT	150 LBS TOTAL	68 kg TOTAL

PIG CASTING MACHINE PLAN



MODEL PM-240-DSL PIG IRON CASTING MACHINE GENERAL ARRANGEMENT

© This drawing is the property of Economy Industrial, Ambridge, PA, and is provided for the use of its clients only for the purpose intended. Unauthorized reproduction or distribution to third parties without the consent of Economy Industrial is a violation of U.S. and International Copyright laws.

ECONOMY INDUSTRIAL
ENGINEERS AND CONTRACTORS AMBRIDGE, PA 15003 U.S.A.
MODEL PM240DS INGOT CASTING MACHINE

GENERAL ARRANGEMENT

APPROVED	REVIEWED	CHECKED	DRAWN BY	DATE	SCALE	DRAWING No.	REV.
						PM-240-DS	

E.I. REF. No.