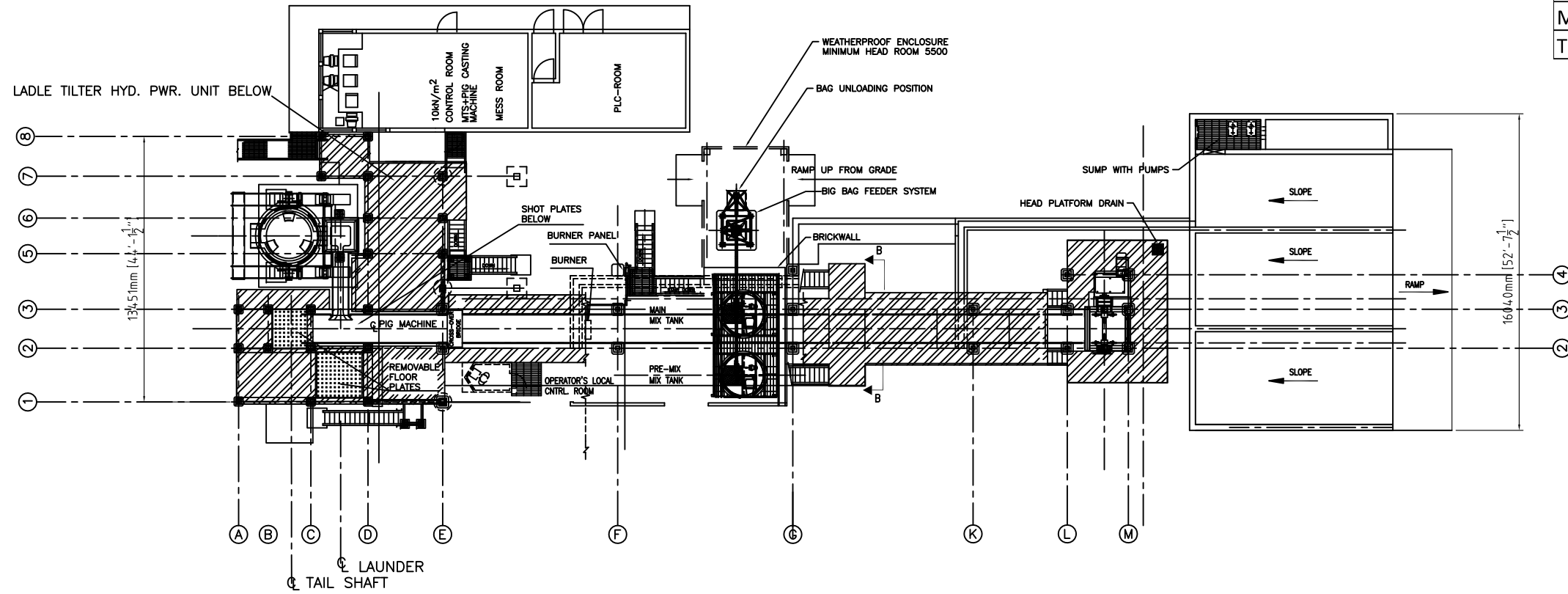
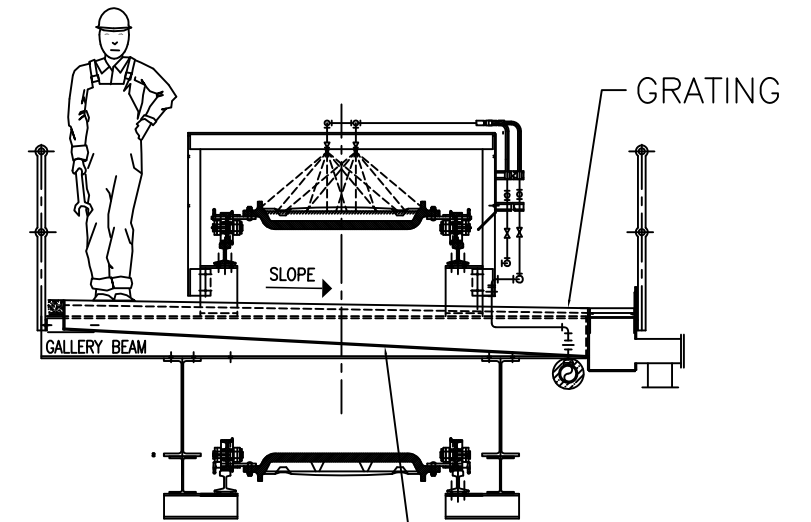


PM 140 SINGLE STRAND		
IRON / HCFer / FeNi / Ni Alloy / FeSi	66 tons / hr	60 metric ton/hr
Ni Matte / Cu matte / FeMn / SiMn		
COOLING TIME	5.5 MINUTES	5.5 MINUTES
MOULDS	DOUBLE CAVITY	DOUBLE CAVITY
TOTAL INGOT WEIGHT	120 LBS TOTAL	54.4 kg TOTAL

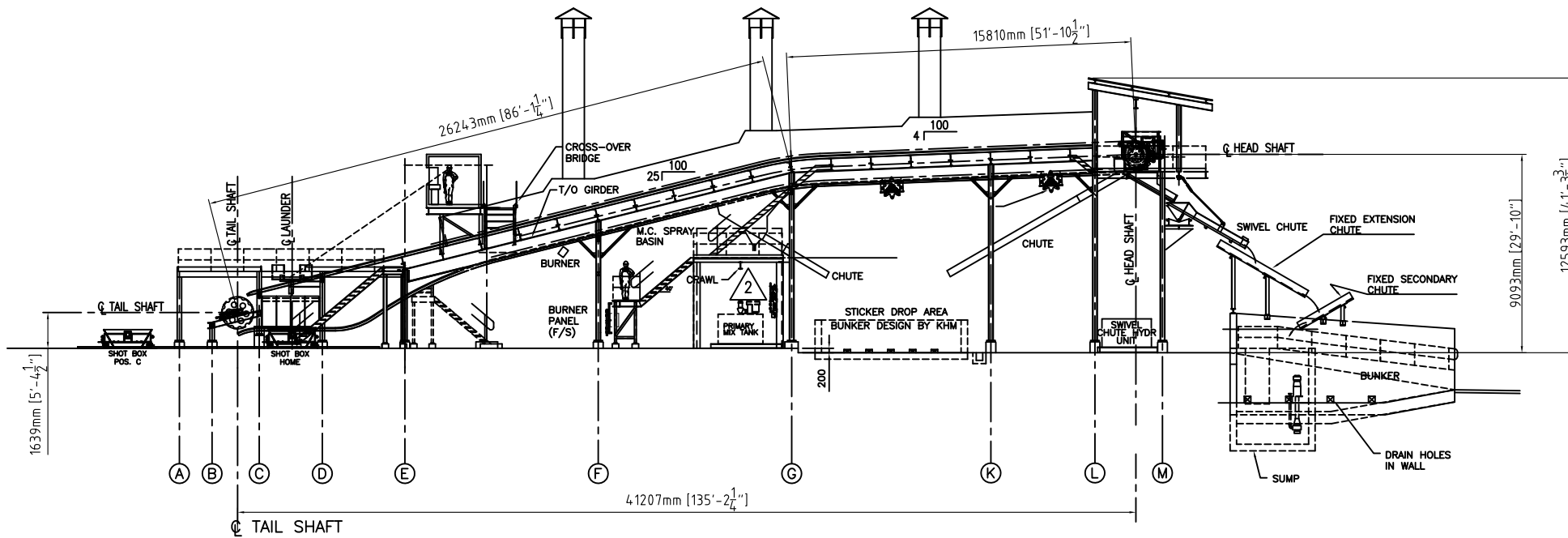


PLAN VIEW

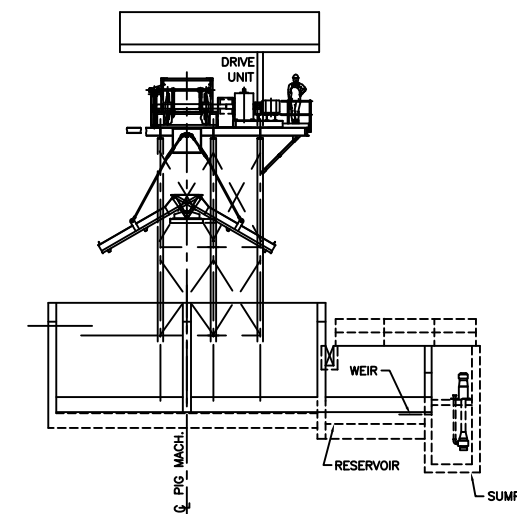


CROSS SECTION THROUGH GALLERY

CROSS SECTION THROUGH GALLERY



MACHINE ELEVATION



© This drawing is the property of Economy Industrial Corp., Ambridge, PA, and is provided for the use of its clients only for the purpose intended. Unauthorized reproduction or distribution to third parties without the consent of Economy Industrial Corp. is a violation of U.S. and International Copyright laws.

**ECONOMY INDUSTRIAL CORPORATION**  
ENGINEERS AND CONTRACTORS AMBRIDGE, PA 15003 U.S.A.  
MODEL PM-140SS INGOT CASTING MACHINE

APPROVED	REVIEWED	CHECKED	DRAWN BY	DATE	SCALE	DRAWING No. PM-140	REV.
----------	----------	---------	----------	------	-------	--------------------	------

E.I.C. REF. No.